

# LandStar series



## LS0512

### SOLAR HOME SYSTEM CONTROLLER

Rated Current: 5A

System Voltage: 12V

Load work mode: ON/OFF

- High efficient Series PWM charging, increase the battery lifetime and improve the solar system performance.
- Use MOSFET as electronic switch, without any mechanical switch
- Widely used, automatically recognize day/night.
- Digital LED menu, only one key solve all setting simply
- Adopt temperature compensation, correct the charging and discharging parameters automatically and improve the battery lifetime.
- Electronic protection: Overheating, over charging, over discharging, overload, and short circuit.
- Reverse protection for battery.



## Our Advantage:

- ★sophisticated R&D has over 20 years research experience's and works in close collaboration with Beijing university of Aeronautics & Astronautics
- ★ Professional technical and service team
- ★ Using world top class electronic components; all the components are industrial grade
- ★ High quality products with reasonable price; the failure rate is less than 2 per1000 pcs
- ★ Practical application in more than 120 countries
- ★ Expected 10 years lifetime

## Electrical parameters

System voltage	12 VDC	Auto work
Nominal battery current	5A	
Charge circuit voltage drop	≤0.26V	
Discharge circuit voltage drop	≤0.15V	
Self consumption	≤6mA	

## Battery voltage parameters

(TEMPCO -30mV/°C/12V,25°C ref)

Battery charging setting	Gel	Sealed	Flooded
Over voltage disconnect voltage	16V; x2/24V	16V; x2/24V	16V; x2/24V
Charging limit voltage	15.5V;x2/24V	15.5V;x2/24V	15.5V;x2/24V
Equalize charging voltage	—	14.6V;x2/24V	14.8V;x2/24V
Boost charging voltage	14.2V;x2/24V	14.4V;x2/24V	14.6V;x2/24V
Float charging voltage	13.8V;x2/24V	13.8V;x2/24V	13.8V;x2/24V
Boost reconnect charging voltage	13.2V;x2/24V	13.2V;x2/24V	13.2V;x2/24V
Low voltage reconnect charging voltage	12.6V;x2/24V	12.6V;x2/24V	12.6V;x2/24V
Under voltage warning reconnect voltage	12.2V;x2/24V	12.2V;x2/24V	12.2V;x2/24V
Under voltage warning voltage	12V; x2/24V	12V; x2/24V	12V; x2/24V
Low voltage disconnect voltage	11.1V;x2/24V	11.1V;x2/24V	11.1V;x2/24V
Discharging limit voltage	10.8V;x2/24V	10.8V;x2/24V	10.8V;x2/24V
Equalize duration	—	2hours	2 hours
Boost duration	2 hours	2 hours	2 hours

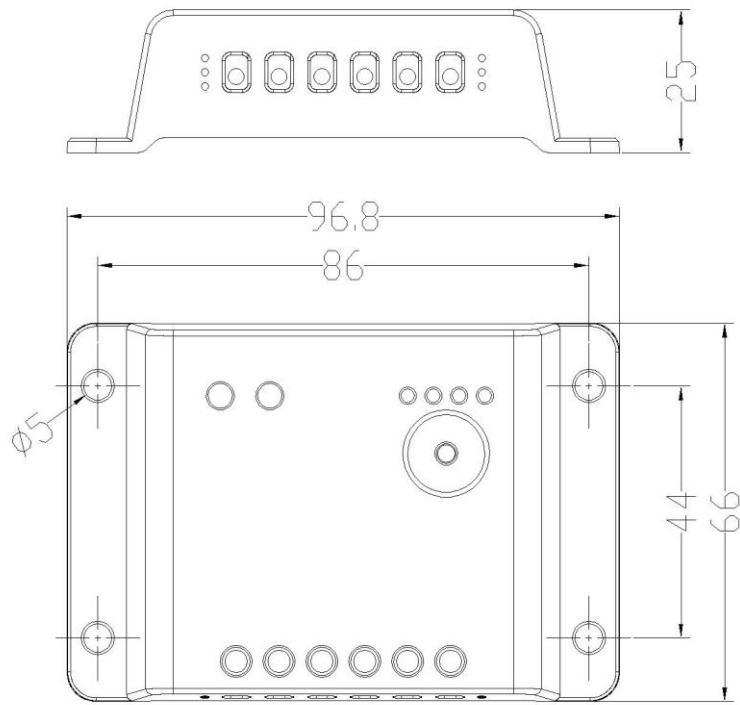
## Environmental parameters

## Mechanical parameters

Working temperature	-35°C to +55°C	Overall dimension	140(5.51)x65(2.56)x34(1.34) mm/inches
Storage temperature	-35°C to +80°C	Mounting dimension	130(5.12) x 45(1.77) mm/inches
Humidity	10%~90% NC	Terminal	2.5mm <sup>2</sup>
Enclosure	IP30	Net weight	0.05kg

**LS0512 5A, 12V**

---



**YOUR RELIABLE PARTNER    EPSOLAR KEEPS**